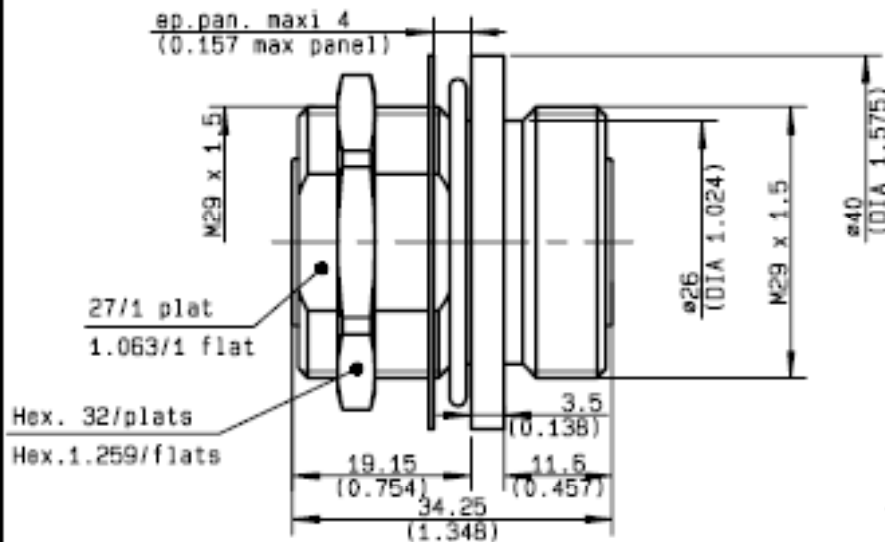
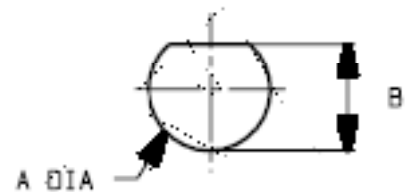


**STRAIGHT FEMALE-FEMALE BULKHEAD
ADAPTATOR PANEL SEAL.**

R185.730.000
SERIES 7-16



PERCAGE PANNEAU
MOUNTING HOLE



	MM		INCH	
	maxi.	mini	maxi	mini
A	29.4	29.2	1.157	1.15
B	27.5	27.3	1.083	1.075

NOMINAL IMPEDANCE	50	Ω
FREQUENCY RANGE	0-7.5	GHz
TEMPERATURE RATING	-55/+155	°C
V.S.W.R	1.15 +	x.F.(GHz)Maxi
RF INSERTION LOSS	0.03	√F.(GHz) dB Maxi.
VOLTAGE RATING	1400	Veff Maxi
DIELECTRIC WITHSTANDING VOLTAGE	4000	Veff Mini
INSULATION RESISTANCE	10000	MΩ/Min.
HERMETIC SEAL	NA	Atm.cm ³ /s
LEAKAGE (pressurized only)	NA	
MECHANICAL DURABILITY	500	Cycles
WEIGHT		gr
SPECIFICATION		

CABLES

OTHERS CHARACTERISTICS

CABLE RETENTION	NA	N Mini
CENTER CONTACT RETENTION		
Axial force - mating end	200	N Mini
Axial force - opposite end	200	N Mini
Torque	NA	cm.N Mini
RECOMMENDED TORQUES		
Mating	3500	cm.N
Panel nut	NA	cm.N
Clamp nut	NA	cm.N

CONNECTOR PARTS MATERIALS

BODY	BRASS
OUTER CONTACT	BRASS
CENTER CONTACT	BERYLLIUM COPPER
INSULATOR	PTFE
GASKET	EPDM
OTHERS PIECES	

FINISH (all values are given in micrometers)

BBR 0.5 OVER SILVER 3
SILVER 5 PASSIVATED OVER COPPER 0.5
SILVER 5 PASSIVATED OVER COPPER 0.5

ZANETTE

ISSUE	CREATION DATE	FILE PART-NUMBER
9949A00	05/08/1999	97-1000-016



RADIALL®

The information given here is subject to change without notice. Design changes may be in order to improve the product.

Connect to the future